

Sanitary partition wall type VITRUM III

Made of enamelled safety glass

schäfer[®]
Trennwandsysteme



Stylish and elegant partitioning.



BEFORE WE
EXPECT TRUST FROM
OUR CUSTOMERS,
WE PROVIDE EVIDENCE
that's us!

TÜV NORD GS TESTED SAFETY *that's us!*

Tested and certified by TÜV NORD these products meet the requirements of the Product Safety Act ProdSG § 21 Registration No. 44 329 14148810.



INNOVATIVE & DESIGN-ORIENTED *that's us!*

With our design-oriented and innovative products, we convince not only our customers, but also national and international committees.



MADE IN GERMANY *that's us!*

Our products are manufactured for you at the company site in Horhausen, Rhineland-Palatinate. This is the only way we can guarantee the high quality standards we set for our products.



PREQUALIFIED *that's us!*

We are registered in the list of prequalified construction companies with the number 010.049740, proving that we are qualified for the products and services we offer.





Design meets purism.

The glass cubicle system type VITRUM III takes up totally new design ideas. Reduced fittings solutions out of stainless steel render a minimalist design as well as a very special optic to this cubicle system. The first choice for the exclusive sanitary area.



Interesting facts about VITRUM III

Sanitary partition walls made of enamelled safety glass

- Consisting of 10 mm toughened safety glass (ESG-H) with Heat-Soak-test
- Flush recessed fixing rosettes
- Enable efficient and fast cleaning
- High-quality stainless steel fitting system
- Soft-Close-Function optionally available
- Due to the design, the door can be guided discreetly in the top profile
- Very exclusive and highly stable WC partition
- The material glass protects against vandalism due to its surface quality
- Colour selection according to RAL colour chart
- Motif prints optionally possible

(2)

Privacy screens

- High privacy screens offer even more privacy
- Fastening by means of discreet stainless steel brackets and floor mounting
- Hygienic and easy to clean
- Colour selection according to RAL colour chart

Advantages of glass installations in the sanitary area

- Very high quality due to the nature of the material
- Especially hygienic
- Easy to clean
- Robust and durable
- High resistance to mechanical damage
- Elegant Design
- A perfect impression even after many years of use



Interesting facts about VITRUM III

Sanitary partition walls made of enamelled safety glass

- The solution for exclusive sanitary rooms and the realisation of theme concepts
- The choice of colours is almost unlimited and is based on the RAL colour chart
- Customer-specific motif prints for a unique WC partition wall design (1)
- The motif is already printed on the carrier plate during glass production. This gives the glass the same high surface quality as conventional screen printing

(3)

Privacy screens

- Wall hanging construction
- Made of enamelled safety glass (ESG-H)
- Mounting by means of discreet stainless steel brackets
- Hygienic and easy to clean
- Waterproof
- Easy floor cleaning due to the construction
- Colour selection according to RAL colour chart
- Motif prints optionally possible
- Privacy screens will be produced acc. to the building site dimension



Features type VITRUM III

Top hinge:



- By using a special hinge construction, the door is fixed into the headrail
- No hinges have to be put on the glass
- An additional front element is not necessary
- Optionally available with self-closing function and a soft-close damper for noise-free closing of the doors

Lower hinge:



- The matching part is fixed on the floor
- The door operates stable and durable by this central pin

Angle:



- The partition wall is connected to the front wall by means of restrained stainless steel brackets in the cubicle
- The screw connections are hidden very elegant by stainless steel cover plates

Connection rosettes:



- Connection rosettes made of stainless steel which are flush fitted into the glass enable an easy cleaning and are an absolute eye-catcher

Variation of accessories type VITRUM III

Hardware:



Stainless steel
one-hand door knob
cubicle outside



Stainless steel
one-hand door knob
cubicle inside

Buffer and hooks:



Stainless steel buffer
Schäfer ES6015



Stainless steel hook
Schäfer ES6010

[To the sanitary accessories >](#)

Colours type VITRUM III

The following table shows the available colours for our Vitrum product range. Price group 1 (PG 1) is included in the pricing. The surcharge for price group 2 (PG 2) is available upon request. Other RAL colours, RAL Design colours and NCS colours are available upon request.

RAL Number	Colour	Price Group
1001	Beige	PG 1
1002	Sandgelb	PG 1
1003	Signalgelb	PG 1
1005	Honiggelb	PG 2
1007	Narzissengelb	PG 1
1013	Perlweiß	PG 1
1014	Elfenbein	PG 1
1015	Hellelfenbein	PG 2
1016	ähnlich Schwefelgelb	PG 1
1017	Safrangelb	PG 1
1018	Zinkgelb	PG 1
1019	Graubeige	PG 2
1021	Rapsgelb	PG 2
1023	Verkehrsgelb	PG 1
1027	Currygelb	PG 2
1028	Melonengelb	PG 2
1032	Ginstergelb	PG 1
1033	Dahliengelb	PG 1
1034	Pastellgelb	PG 2
1036	Perlgold	PG 2
1037	Sonnengelb	PG 2
2000	Gelborange	PG 2
2001	Rotorange	PG 2
2002	Blutorange	PG 2
2003	Pastellorange	PG 2
2004	Reinorange	PG 1
2007	Leuchthellorange	PG 2
2008	Hellorange	PG 2
2009	Verkehrsorange	PG 2
2011	Tieforange	PG 1

RAL Number	Colour	Price Group
2012	Lachsorange	PG 2
2013	Perlorange	PG 2
3000	Feuerrot	PG 1
3001	Signalrot	PG 2
3002	Kaminrot	PG 2
3003	Rubinrot	PG 1
3004	Purpurrot	PG 2
3005	Weinrot	PG 2
3009	Oxidrot	PG 2
3011	Braunrot	PG 2
3013	Tomatenrot	PG 1
3014	Altrosa	PG 2
3016	Korallenrot	PG 1
3017	Rose	PG 1
3018	Erdbeerrot	PG 1
3020	Verkehrsrot	PG 1
3022	Lachsrot	PG 1
3028	Reinrot	PG 2
3031	Orientrot	PG 2
4002	Rotviolett	PG 2
4004	Bordeauxviolett	PG 2
4007	Purpurviolett	PG 2
4009	Pastellviolett	PG 2
5000	Violettblau	PG 2
5002	Ultramarinblau	PG 2
5003	Saphirblau	PG 2
5005	Signalblau	PG 2
5007	Brillantblau	PG 2
5009	Azurblau	PG 2
5010	Enzianblau	PG 2

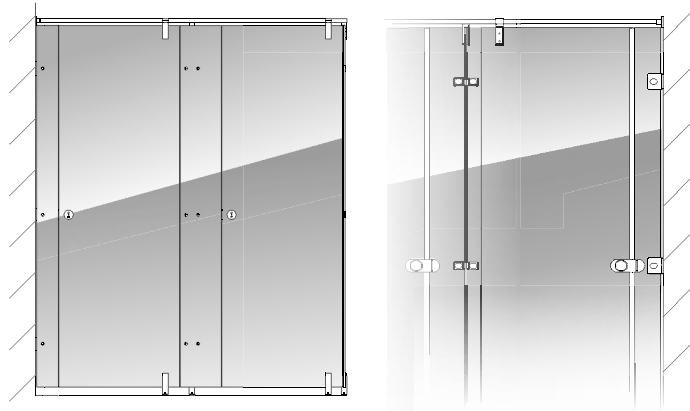
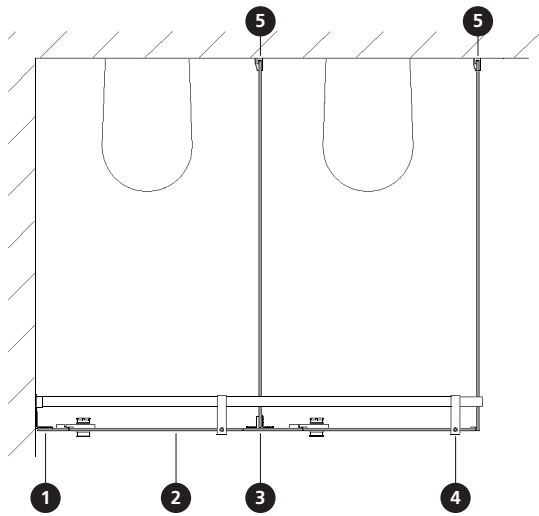
Colours type VITRUM III

The following table shows the available colours for our Vitrum product range. Price group 1 (PG 1) is included in the pricing. The surcharge for price group 2 (PG 2) is available upon request. Other RAL colours, RAL Design colours and NCS colours are available upon request.

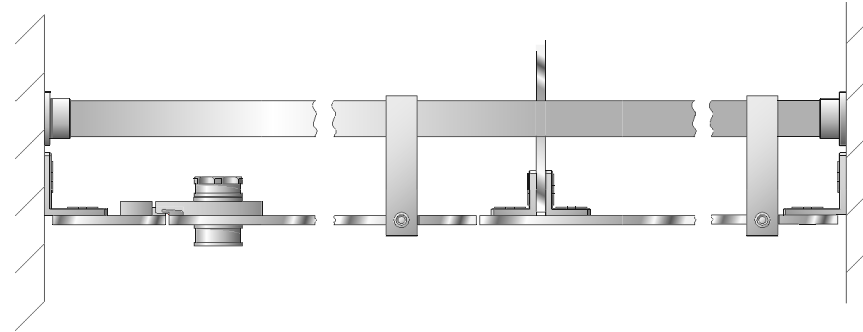
RAL Number	Colour	Price Group
5011	Stahlblau	PG 2
5012	Lichtblau	PG 2
5014	Taubenblau	PG 1
5015	Himmelblau	PG 2
5017	Verkehrsblau	PG 2
5018	Türkisblau	PG 1
5019	Capriblau	PG 2
5021	Wasserblau	PG 1
5022	Nachtblau	PG 2
5023	Fernblau	PG 2
5024	Pastellblau	PG 2
6000	Patinagrün	PG 1
6018	Gelbgrün	PG 1
6019	Weißgrün	PG 1
6024	Verkehrsgrün	PG 2
6026	Opalgrün	PG 1
6027	Lichtgrün	PG 1
6029	Minzgrün	PG 1
6032	Signalgrün	PG 2
6033	Minttürkis	PG 1
6034	Pastelltürkis	PG 1
6036	Perlopalgrün	PG 2
7001	Silbergrau	PG 1
7004	Signalgrau	PG 1
7005	Mausgrau	PG 2
7006	Beigegrau	PG 1
7011	Eisengrau	PG 1
7012	Basaltgrau	PG 1
7015	Schiefergrau	PG 2
7016	Anthrazitgrau	PG 1

RAL Number	Colour	Price Group
7021	Schwarzgrau	PG 2
7022	Umbragrau	PG 2
7023	Betongrau	PG 2
7024	Graphitgrau	PG 2
7030	Steingrau	PG 2
7032	Kieselgrau	PG 2
7035	Lichtgrau	PG 1
7036	Platingrau	PG 1
7037	Staubgrau	PG 2
7038	Achatgrau	PG 1
7039	Quarzgrau	PG 2
7040	Fenstergrau	PG 1
7042	Verkehrsgrau A	PG 1
7047	Telegrau 4	PG 1
7048	Perlmausgrau	PG 2
8003	Lehmbraun	PG 2
8004	Kupferbraun	PG 2
8007	Rehbraun	PG 2
8017	Schokoladenbraun	PG 2
8019	Graubraun	PG 2
8029	Perlkupfer	PG 2
9001	Cremeweiß	PG 2
9002	Grauweiß	PG 1
9003	Signalweiß	PG 1
9005	Schwarz	PG 1
9007	Graualuminium	PG 2
9010	Reinweiß	PG 1
9017	Verkehrsschwarz	PG 1
9018	Papyrusweiß	PG 2
9022	Perlhellgrau	PG 2

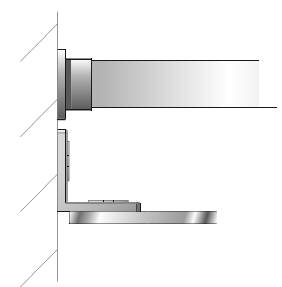
Technical design of cubicle system type VITRUM III



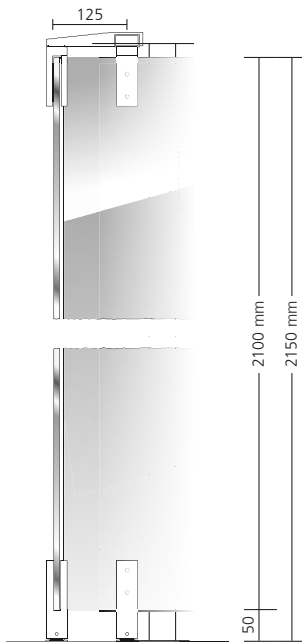
2 Cubicle Front section with one-hand door knob made of stainless steel



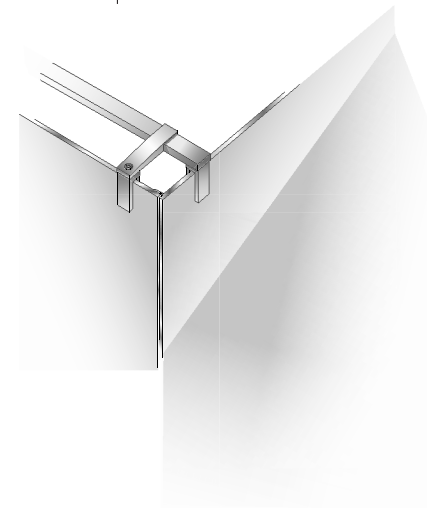
1 Wall connection front



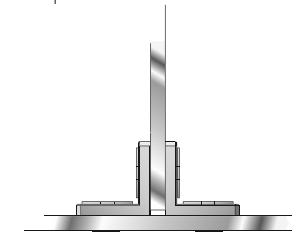
Front height section



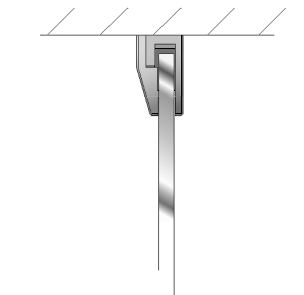
4 Ceiling connection



3 Front to partition wall connection



5 Connection of partition wall to brick wall



We reserve the right to make technical alterations.

